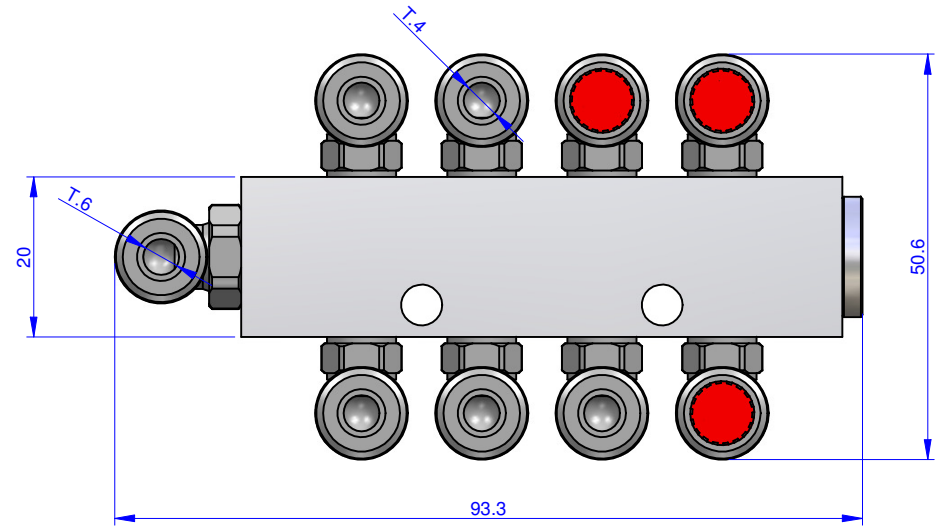
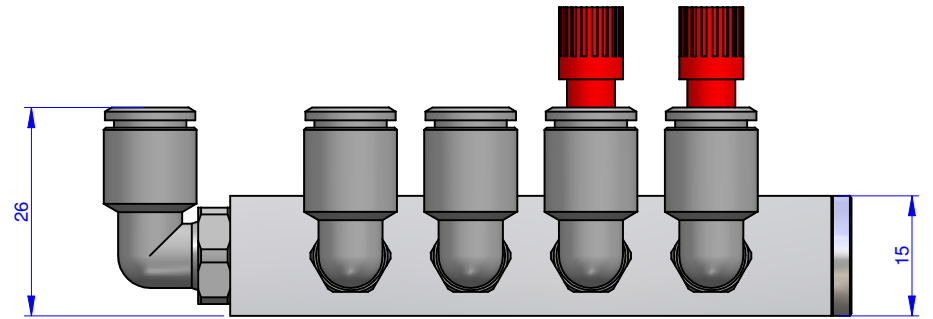
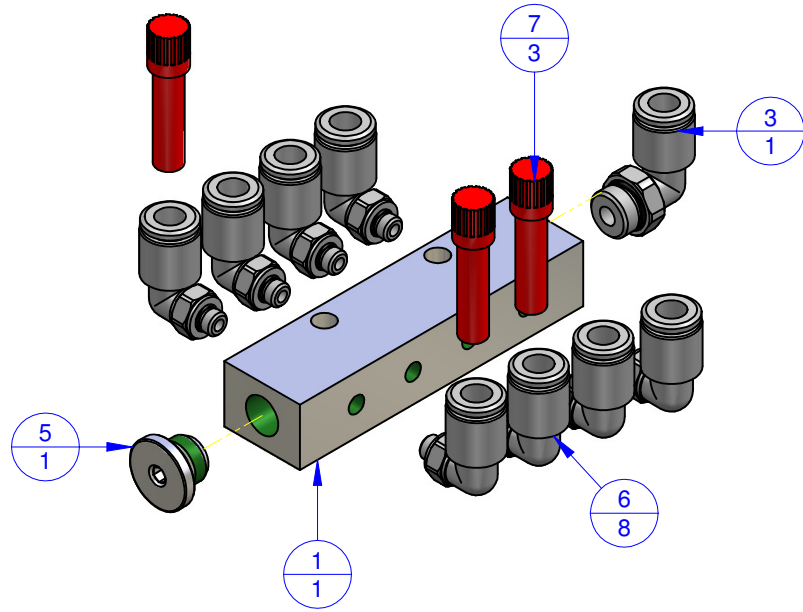


THE PROPERTY OF THIS DRAWING IS ESTABLISHED BY LAW
IT IS FORBIDDEN TO REPRODUCE IT OR SHOW IT TO THIRD PARTY
WITHOUT A WRITTEN AGREEMENT.



Object Number	Name	QTY
1	CA.13.02.003	1
3	CA.12.05.003	1
5	CA.08.14.014	1
6	CA.12.05.002	8
7	CA.12.05.037	3

MODIFICATIONS: VARIED DIMENSIONS AS OF DATE:

7	10
8	11
9	12

MODIFICATIONS: VARIED DIMENSIONS AS OF DATE:

1	4
2	5
3	6

Format **A3**
UNI 936-76

FP Services		DESIGNED FROM FPSERVICES	
GENERAL TOLERANCE: UNI - ISO 2768 CLASSE f		DATE 07/2015	WEIGHT 0,072 kg
DESCRIPTION		CODE KIT.13.02.008	